

TRANSFER INDICATOR SWITCH INSPECTION

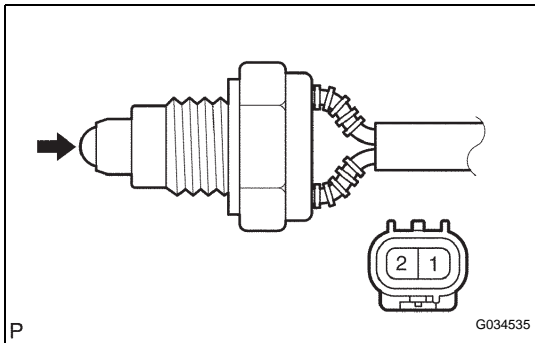
1. INSPECT TRANSFER INDICATOR SWITCH (for Center Differential Lock Position)

- (a) Measure the resistance of the switch.

Standard resistance

Tester Connection	Switch Condition	Specified Condition
1 - 2	Pushed	Below 1 Ω
1 - 2	Not pushed	10 k Ω or higher

If the result is not as specified, replace the switch.



2. INSPECT TRANSFER INDICATOR SWITCH (for LL Position)

- (a) Measure the resistance of the switch.

Standard resistance

Tester Connection	Switch Condition	Specified Condition
1 - 2	Pushed	Below 1 Ω
1 - 2	Not pushed	10 k Ω or higher

If the result is not as specified, replace the switch.